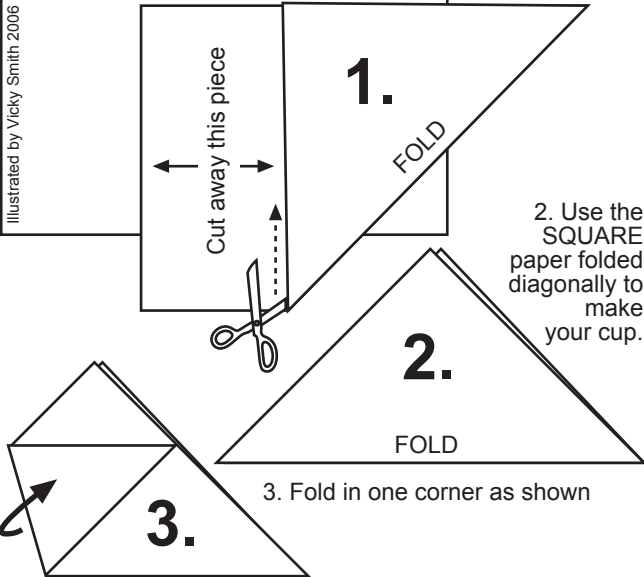


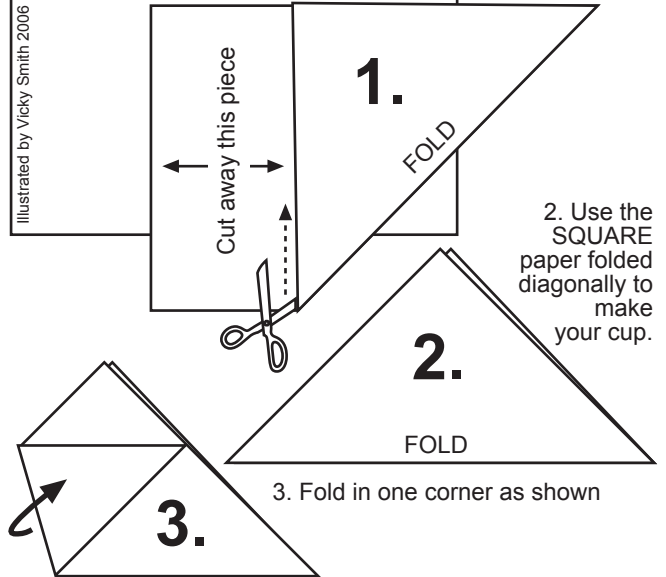
How to make a paper cup

You need a SQUARE piece of paper. Fold an A4 piece of paper as shown and cut off the spare piece.



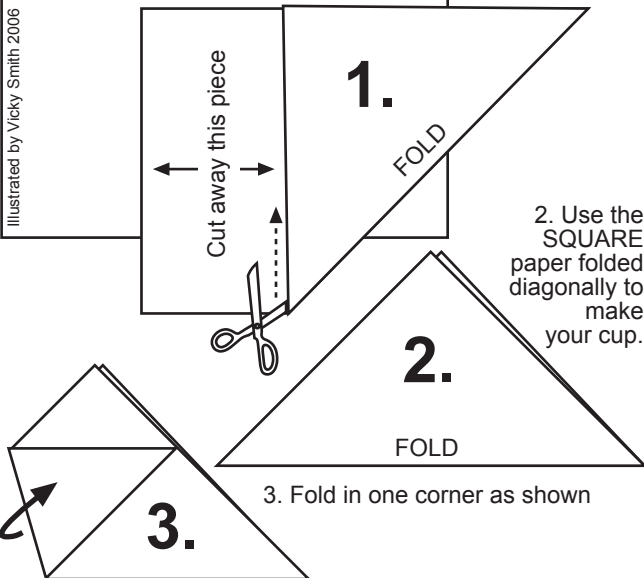
How to make a paper cup

You need a SQUARE piece of paper. Fold an A4 piece of paper as shown and cut off the spare piece.



How to make a paper cup

You need a SQUARE piece of paper. Fold an A4 piece of paper as shown and cut off the spare piece.



How to make a paper cup

You need a SQUARE piece of paper. Fold an A4 piece of paper as shown and cut off the spare piece.

